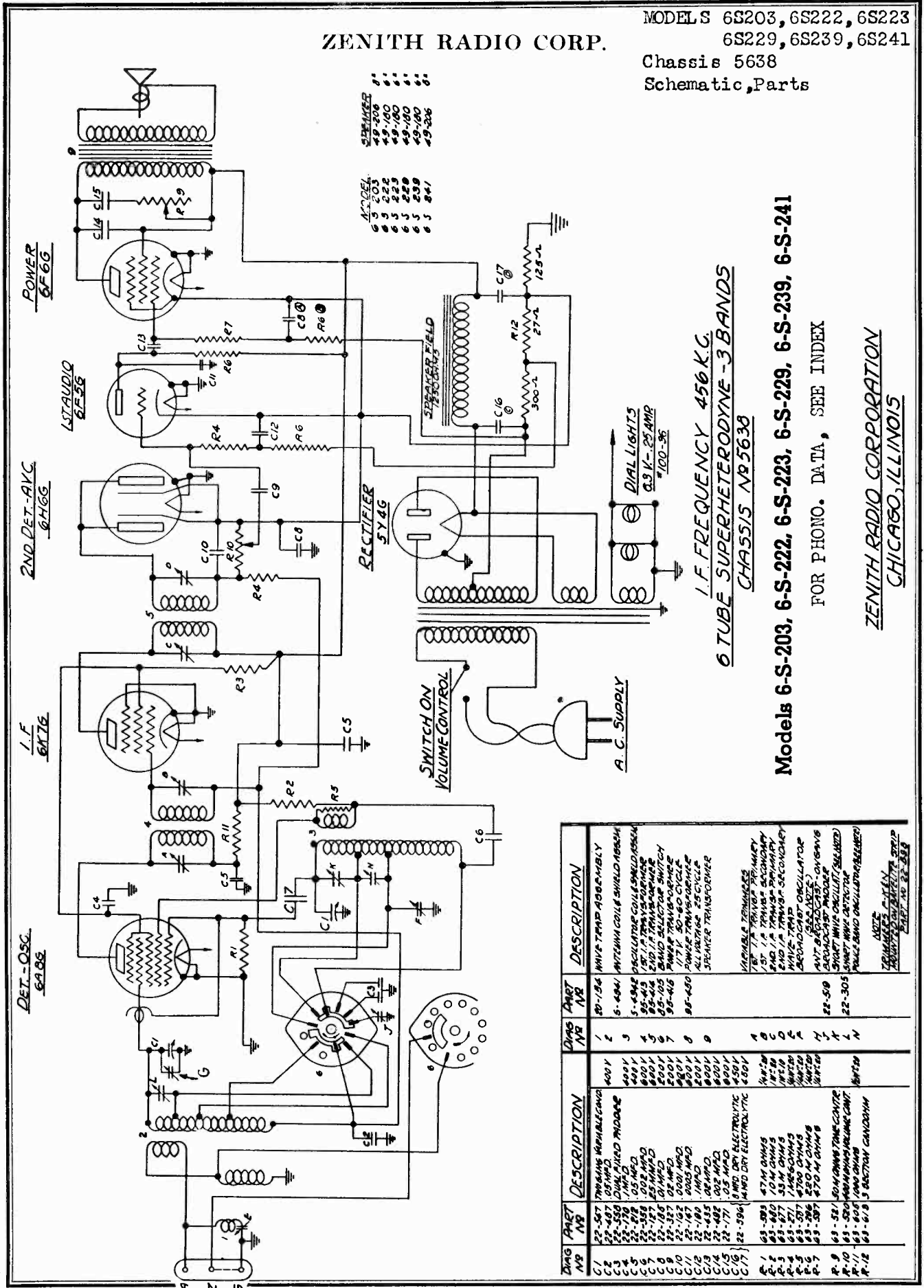


ZENITH RADIO CORP.

MODELS 6S203, 6S222, 6S223
6S229, 6S239, 6S241

Chassis 5638
Schematic, Parts



I.F. FREQUENCY 456 K.C.
 6 TUBE SUPERHETERODYNE - 3 BANDS
 CHASSIS NO 5638

Models 6-S-203, 6-S-222, 6-S-223, 6-S-229, 6-S-239, 6-S-241

FOR PHONO. DATA, SEE INDEX

ZENITH RADIO CORPORATION
 CHICAGO, ILLINOIS

Part No	Description	Part No	Description
C1	22-587 TRANSFORMER WINDINGS	1	20-154 WAVE TRAP ASSEMBLY
C2	22-487 25MFD	2	5-494 ANTENNA COIL & SHIELD ASSEMBLY
C3	22-550 50MFD	3	5-484 OSCILLATOR COIL SHIELD ASSEMBLY
C4	22-176 1MFD	4	5-482 120/1A TRANSFORMER
C5	22-278 .05 MFD	5	5-412 120/1A TRANSFORMER
C6	22-185 .05 MFD	6	5-5-105 BAND SELECTOR SWITCH
C7	22-185 .05 MFD	7	5-5-416 POWER TRANSFORMER
C8	22-327 .02 MFD	8	77-1 50-60 CYCLE
C9	22-185 .05 MFD	9	5-5-450 50/60 CYCLE
C10	22-185 .05 MFD	10	5-5-450 50/60 CYCLE
C11	22-185 .05 MFD	11	5-5-450 50/60 CYCLE
C12	22-185 .05 MFD	12	5-5-450 50/60 CYCLE
C13	22-482 .02 MFD	13	5-5-450 50/60 CYCLE
C14	22-177 .02 MFD	14	5-5-450 50/60 CYCLE
C15	22-394 1MFD DRY ELECTROLYTIC	15	5-5-450 50/60 CYCLE
C16	22-394 1MFD DRY ELECTROLYTIC	16	5-5-450 50/60 CYCLE
C17	22-394 1MFD DRY ELECTROLYTIC	17	5-5-450 50/60 CYCLE
R1	65-593 47M OHMS	18	5-5-450 50/60 CYCLE
R2	65-640 10M OHMS	19	5-5-450 50/60 CYCLE
R3	65-677 33M OHMS	20	5-5-450 50/60 CYCLE
R4	65-597 4700 OHMS	21	5-5-450 50/60 CYCLE
R5	65-597 4700 OHMS	22	5-5-450 50/60 CYCLE
R6	65-597 4700 OHMS	23	5-5-450 50/60 CYCLE
R7	65-597 4700 OHMS	24	5-5-450 50/60 CYCLE
R8	65-521 50M OHMS	25	5-5-450 50/60 CYCLE
R9	65-520 100M OHMS	26	5-5-450 50/60 CYCLE
R10	65-520 100M OHMS	27	5-5-450 50/60 CYCLE
R11	65-604 100 OHMS	28	5-5-450 50/60 CYCLE
R12	65-678 3 SECTION BANDSWITCH	29	5-5-450 50/60 CYCLE